

MANISCOPIC

MVT 628
TURBO




- Max. lift height : 6.30 m
- Capacity : 2800 kg
- Overall width/Overall height : 1.99 m
- Diesel engine : 101 HP/74.5 kw
- Hydrostatic transmission


Varioshift


 **MANITOU**

MVT 628 TURBO


 **Lift capacity**2800 kg
at 500 mm from forks heels.


 **Lift height**6.30 m

 **Tyres**
16/70 - 20 10 PR

 **Forks (mm)**
Length1200
Width x thickness125 X 45
Maximum distance between forks1260
Carriage rotation135°


 **Multidisc brakes - hydraulically assisted on front axle**

 **PERKINS Engine**
Type 1104 C.44 T4 cyl. - 4400 cm³
Power101 HP/74.5 kw (ISO/TR 14396)
Maximum torque412 Nm at 1400 rpm
Direct Injection
Water Cooling

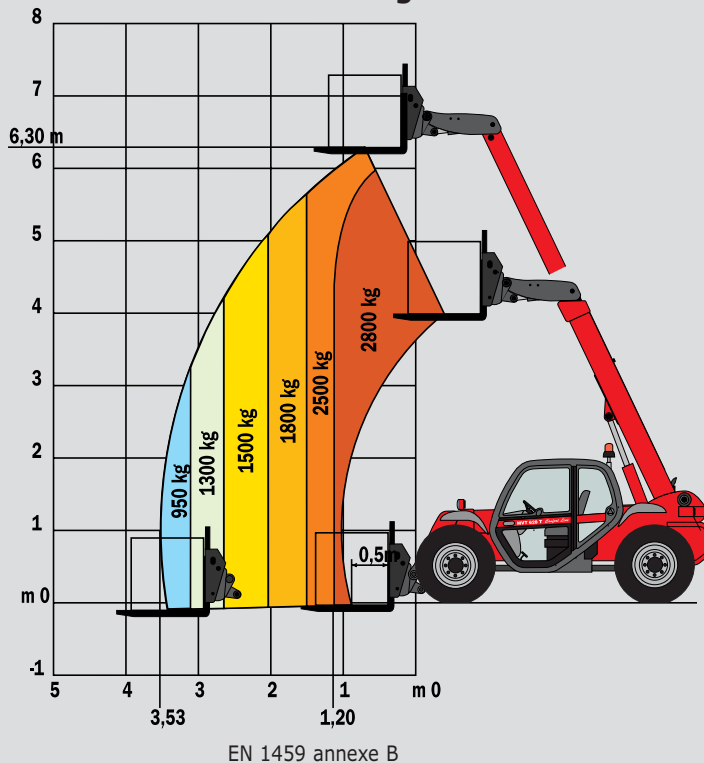
 **Hydrostatic transmission**
Electro-hydraulic reversing shift
Maximum travel speed33 km/h

 **Hydraulics**
Gear pump80 l/mn - 235 bars
Steering pump170 bars/Load sensing

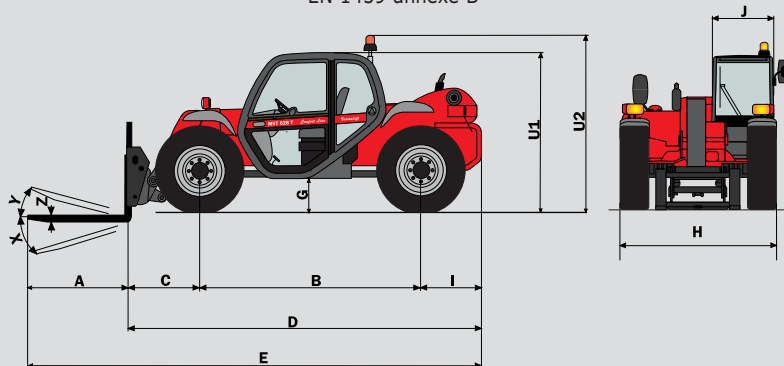
 **Capacities**
Cooling system16 l.
Engine oil :8.1 l.
Hydraulic oil80 l.
Fuel tank95 l.

 **Weight unladen (with forks)**5600 kg
Overall width1.99 m
Overall height1.99 m
Turning radius (outside wheels)3.91 m
Overall length4.43 m
Ground clearance0.36 m
Drawbar pull5700 daN

Reach at maximum height : 0.75 m

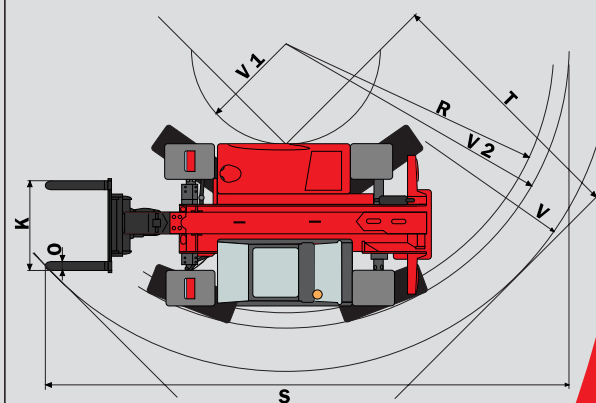


EN 1459 annexe B



MVT 628 T	
A	1200
B	2750
C	930
D	4430
E	5630
F	1570
G	355
H	1990
I	750
J	910
K	1040
O	125
R	4400
S	7380
T	3500
U1	1990
U2	2240
V	4600
V1	1620
V2	3910
X	123°
Y	12°
Z	40

mm



This publication in no way constitutes an offer and the company reserves the right to alter specification without prior notice.
The MANITOU models presented in this brochure can be supplied complete with optional equipment attachments.

